

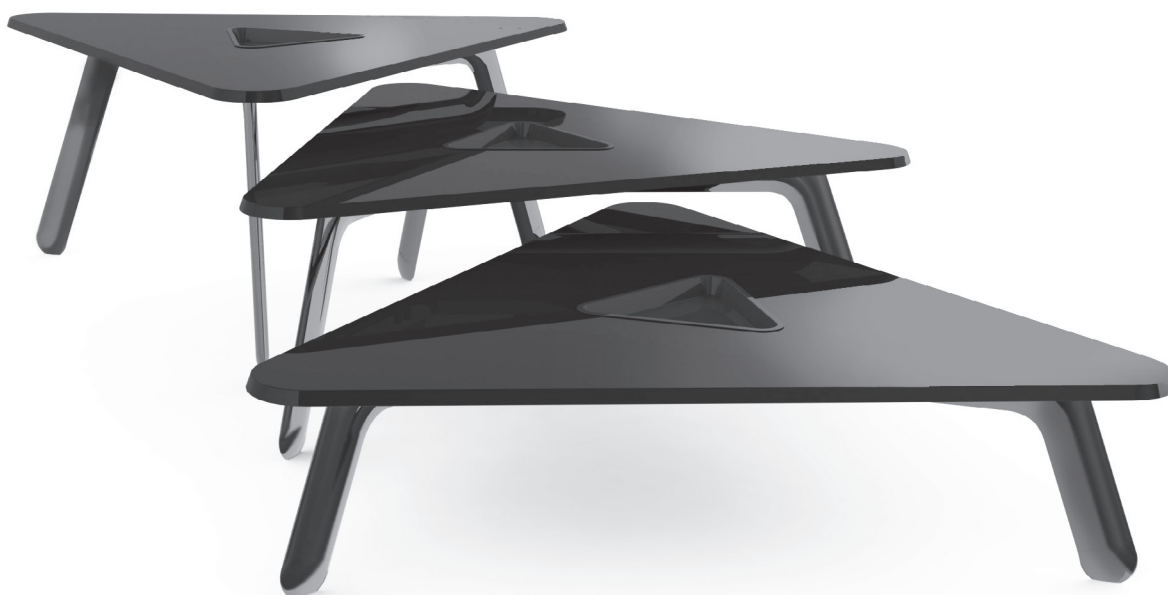
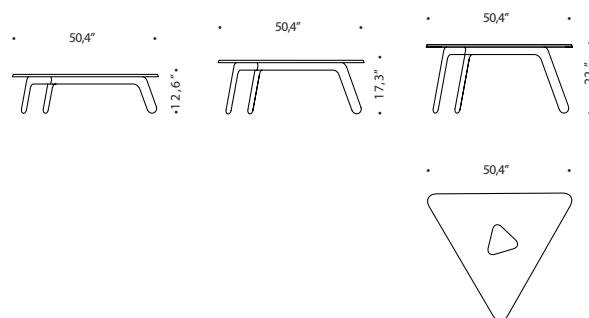


TROJAK

designed by zieta

Materials
steel, inox

Colours
□ white
■ black
■ grey
■ inox



zieta prozessdesign

info@zieta.pl
sales@zieta.pl
www.zieta.pl
moniuszki 29/2
51-610 wroclaw
poland
ferdinand-hodler-str. 16
ch- 8049 zurich
switzerland

TROJAK is a three leg table construction made in FiDU technology with a steel table top . In the middle of a big shiny black table top is a moveable container that you can use as a bowl or a tray.